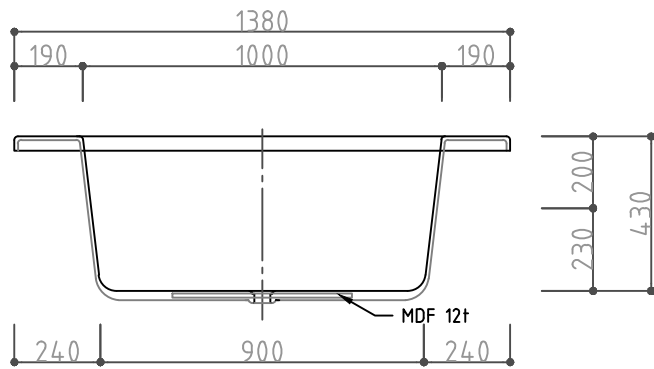
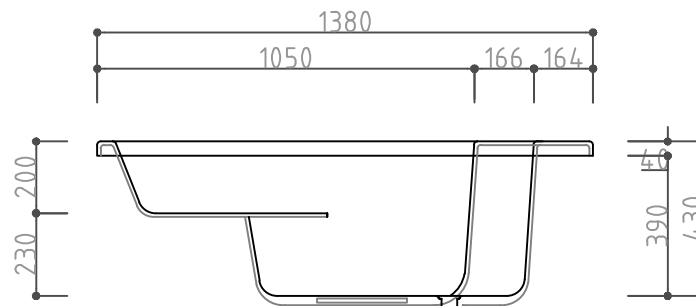


⊕ TOP VIEW



⊕ FRONT VIEW



⊕ SIDE VIEW

■ PRODUCT NAME

PASSIONE

■ 본체 부품 설치 사양표

| NO | 품명 | 수량 | 비고 |
|----|-----------------|----|---------------------|
| 1 | TUB BODY | 1 | 유리섬유 강화고광택 아크릴(FRA) |
| 2 | MOTOR(1HP) | 1 | AQUAFLO(U.S.A) |
| 3 | EYEBALL-JET | 4 | AQUAFLO(U.S.A) |
| 4 | CONTROLLOR | 1 | AQUAFLO(U.S.A) |
| 5 | AIR-BUTTON | 1 | AQUAFLO(U.S.A) |
| 6 | OVER-FLOW DRAIN | 1 | FOOT-TOUCH SYSTEM |

■ OPTION

| NO | 품명 | 수량 | 비고 |
|----|------------|----|----|
| 1 | BLOWER JET | 8 | |
| 2 | | | |

NOTES

| |
|--|
| |
| |
| |
| |

| NO. | DATE | DESCRIPTION |
|-----|------|-------------|
| | | |
| | | |
| | | |

PROJECT TITLE

PASSIONE

| | | |
|----------|---------------|----------------|
| Design | Scale | 1/NON |
| Drawn | DATE | 2003. 10. 20. |
| Checked | Drawing Title | PASSIONE |
| Approved | Drawing No. | Sheet No. R-12 |



international
pathware

■ interQua FACTORY
625-1 SINNAM-RI DUNPO-MYOUN,
AHSAN-SHI CHUNGNAM, SOUTH KOREA
TEL : +82 - 41 - 531 - 7207.8
FAX : +82 - 41 - 531 - 7209