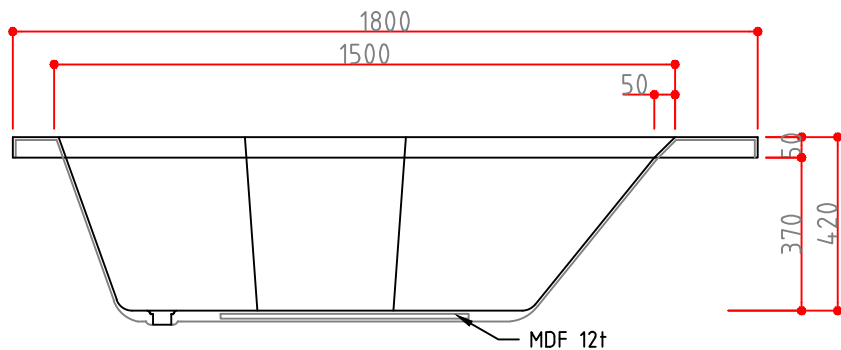
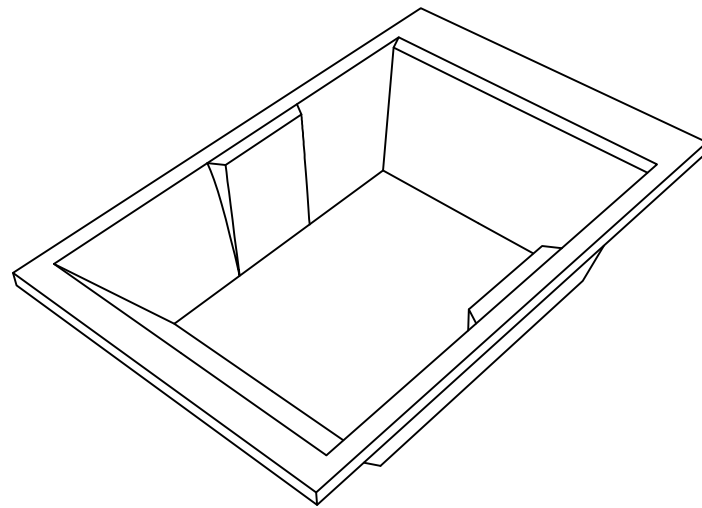
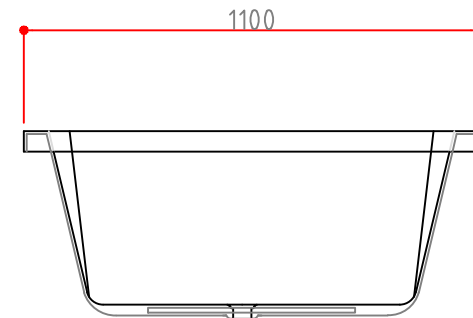


⊕ TOP VIEW



⊕ FRONT VIEW



⊕ SIDE VIEW

NOTES

NO.	DATE	DESCRIPTION

PROJECT TITLE
파चे (1100)

Design	Scale	1/NON
Drawn	DATE	
Checked	Drawing Title	
Approved	Drawing No.	Sheet No. R-03



■ **interQua FACTORY**
 299-36, WANGNIM-RI SEONGHWAN-EUP,
 CHEONAN-SI CHUNGCHONGNAM-DO,
 REPUBLIC OF KOREA
 TEL : +82 - 41 - 531 - 7207.8
 FAX : +82 - 41 - 531 - 7209