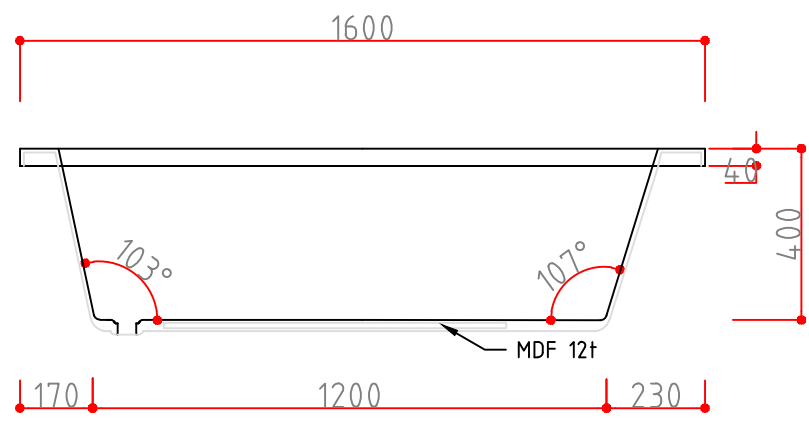


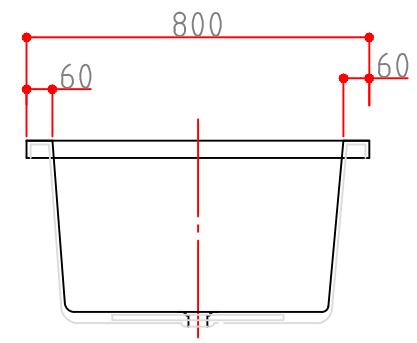
⊕ TOP VIEW

■ PRODUCT NAME

SPECCHIO



⊕ FRONT VIEW



⊕ SIDE VIEW

NOTES	REV. NO.	REV. DATE.	PROJECT TITLE
	REV 00	2016. 03. 10.	스페치오
	REV 01	2018. 10. 12. 배수구 변경	
	REV 02	2020. 02. 19. 세부치수 변경	

Design	Scale	1/NON
Drawn	DATE	2016. 03. 10.
Checked	Drawing Title	SPECCHIO
Approved	Drawing No.	IBT-1623
	Sheet No.	R-10



■ interQua FACTORY
 299-36, WANGNIM-RI SEONGHWAN-EUP,
 CHEONAN-SI CHUNGCHONGNAM-DO,
 REPUBLIC OF KOREA
 TEL : +82 - 41 - 531 - 7207.8
 FAX : +82 - 41 - 531 - 7209