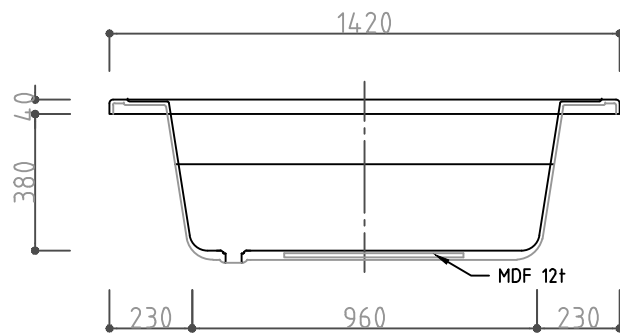
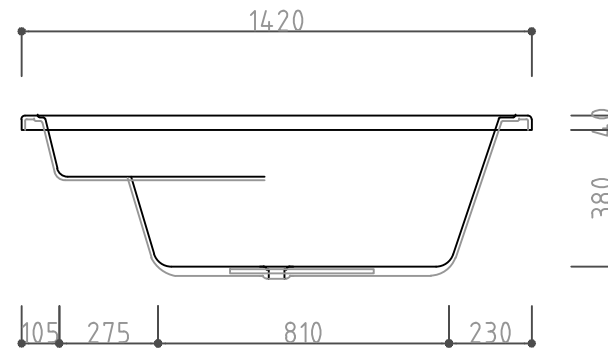


TOP VIEW



FRONT VIEW



SIDE VIEW

■ PRODUCT NAME

LUNA

■ 본체 부품 설치 사양표

NO	품명	수량	비고
1	TUB BODY	1	유리섬유 강화고광택 아크릴(FRA)
2	MOTOR(1HP)	1	AQUAFLO(U.S.A)
3	EYEBALL-JET	6	AQUAFLO(U.S.A)
4	CONTROLLER	1	AQUAFLO(U.S.A)
5	AIR-BUTTON	1	AQUAFLO(U.S.A)
6	OVER-FLOW DRAIN	1	FOOT-TOUCH SYSTEM

■ OPTION

NO	품명	수량	비고
1	HAND-BAR(SHORT)	2	

NOTES	NO.	DATE	DESCRIPTION	PROJECT TITLE

LUNA

Design	Scale	1/NON
Drawn	DATE	2003. 10. 20.
Checked	Drawing Title	LUNA
Approved	Drawing No.	Sheet No. G-14



International bathware

■ interQua FACTORY  
625-1 SINNAM-RI DUNPO-MYOUN,  
AHSAN-SHI CHUNGNAM, SOUTH KOREA  
TEL : +82 - 41 - 531 - 7207.8  
FAX : +82 - 41 - 531 - 7209