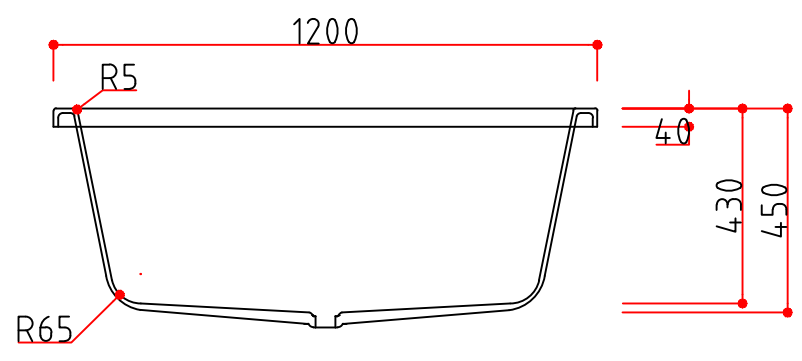


⊕ TOP VIEW

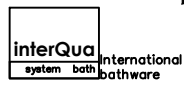


⊕ FRONT VIEW

NOTES	REV. NO.	REV. DATE.	PROJECT TITLE

그라세토_1200

Design	Scale	1/NON
Drawn	DATE	
Checked	Drawing Title	GRASSETTO
Approved	Drawing No.	Sheet No.



inferQua FACTORY
299-36, WANGNIM-RI
SEONGHWAN-EUP, CHEONAN-SI
CHUNGCHONGNAM-DO,
REPUBLIC OF KOREA
TEL : +82 - 41 - 531 - 7207,8
FAX : +82 - 41 - 531 - 7209